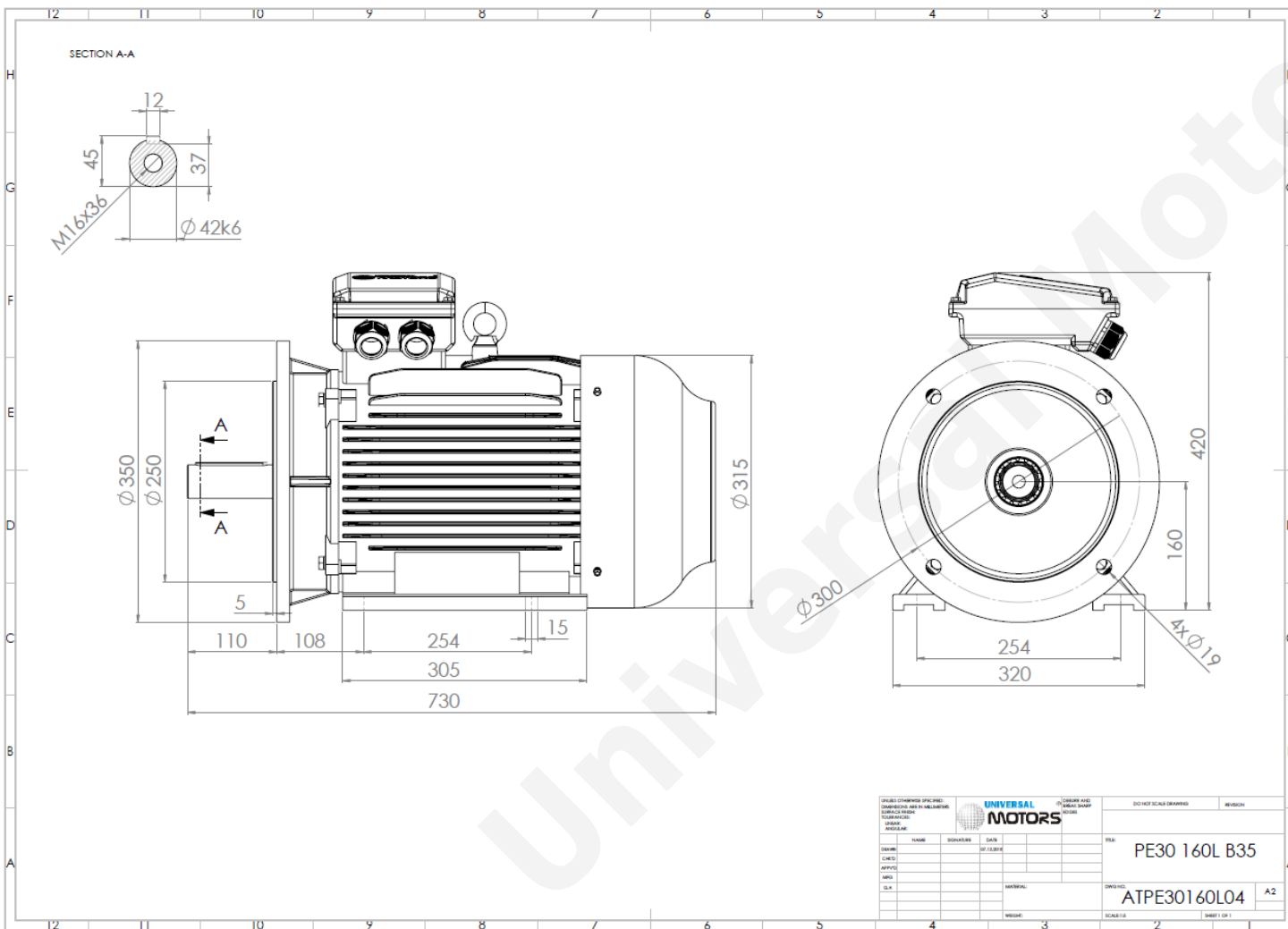




TECHNICAL DATA

Three Phase Electric Motors - Cast Iron Frame
 PE30 160L-8
 7.5 kW / 10 Cv
 720 RPM



Motor type:	PE30 160L-8
Output:	7.5 kW / 10 Cv
Speed (min ⁻¹):	720 RPM
Frequency:	50 Hz
Voltage:	400 V
Current:	16.50 A
Power factor (Cos Ø):	0.75
Poles:	8
Insulation class:	F
Temperature rise Class:	B
Efficiency 50%:	85.1 %
Efficiency 75%:	87.6 %
Efficiency 100%:	87.3 %
Torque:	100 N.m
Tstarting/Tnominal:	1.9
Istarting/Inominal:	6.0
Tmaximum/Tnominal:	2.0
Noise:	68 Db(A)
Weight:	160 Kg
Bearing DE:	6309 C3
Bearing NDE:	6309 C3

Regime - S1

Altitude - 1000m

Environment Temperature - 40°C

CONTACTS:

UNIVERSAL MOTORS Tel: +351 252 299 080
 Rua de São Brás,745 Fax: +351 252 299 089
 4480-782 VILA DO CONDE Mail: geral@universalmotors.pt

* References applied only in the UK